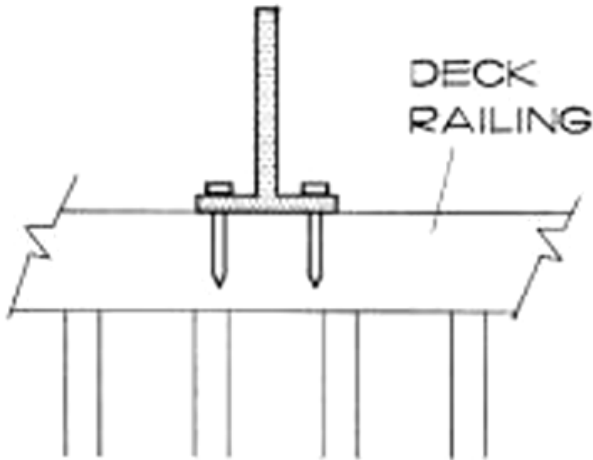


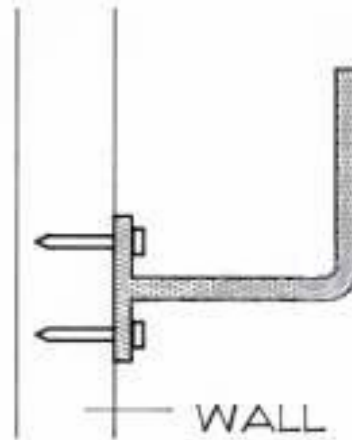
WEATHER VANE INSTALLATION DECK & WALL MOUNT

DECK MOUNTING BRACKET



For use on fences or deck railings.

WALL MOUNTING BRACKET



For use on walls or other vertical surfaces:

The Wall Mounting Brackets (L-Shaped) are used when the weather vane is to be mounted on a flat vertical surface such as an exterior wall.

Tools and supplies recommended for installing your weather vane:

- Electric drill w/correct sized drill bit
- Depending on where you intend to install your bracket, you may need to provide your own screws or bolts
- Magnetic pilot level
- Heavy grease
- Compass

Directions for installing your weathervane:

1. After installing the flat mounting bracket by screwing it onto its new surface, loosen the set screws so spire (black weather vane rod) can slide in.
2. Place the spire in the bracket tube and tighten the set screws. Use your pilot level to make sure the spire is absolutely vertical to insure that your weather vane turns correctly in the wind. You can use small wooden shims behind the base plate to adjust the spire, if necessary. NEVER TUG OR PULL ON SPIRE WHILE IN MOUNT (BRACKET MAY PULL OUT).
3. Assemble ring, globes and directionals on spire. Use your compass to orient the brass directional letter N to true north.
4. Coat the section of the spire that will be covered by the vane sculpture piece with grease.
5. Insert ONE steel ball into the mounting tube at the base of the weather vane ornament. (*The remaining steel balls are spares in case you drop the first one during the installation.*) Then slide the vane on top of spire. If you have a 3/8" spindle on the top 10" of your rod, check to see that the vane clears the flared section of the spire. If not, add a second ball bearing and check again.



Small Size Squirrel Weather Vane mounted on deck railing with circular base.



Small size Cat & Butterfly weather vane mounted outside 2nd story window with vertical mounting bracket.